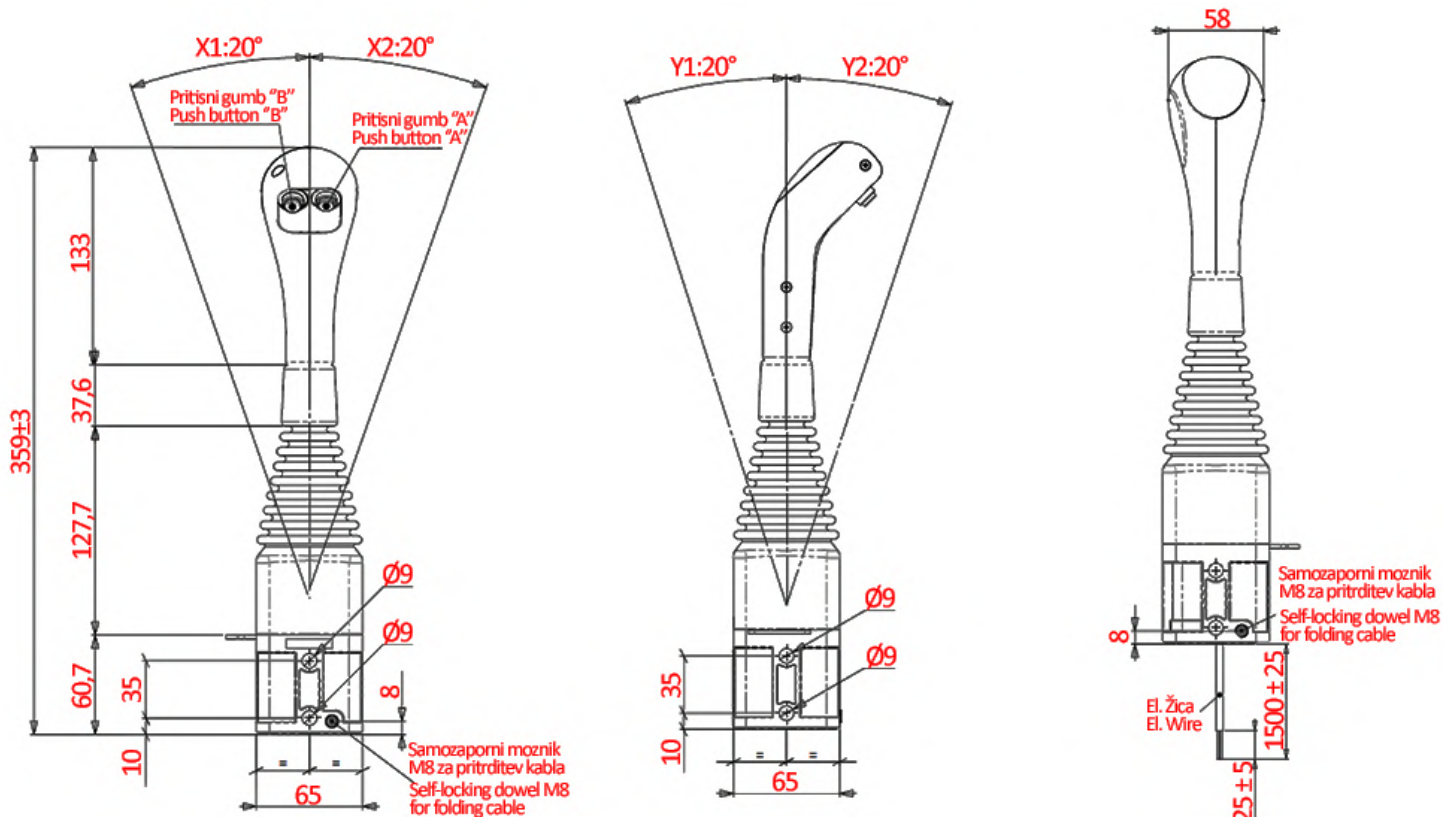
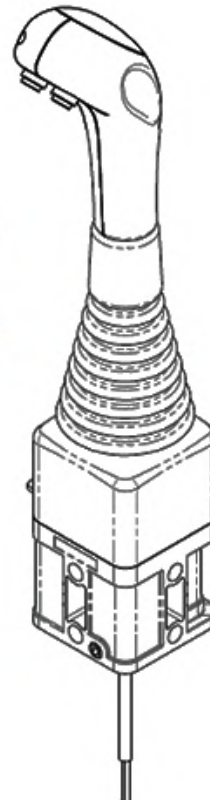
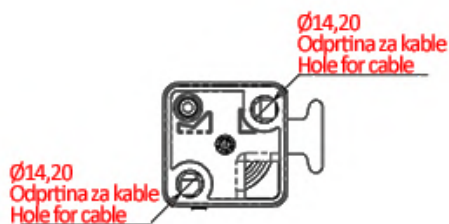
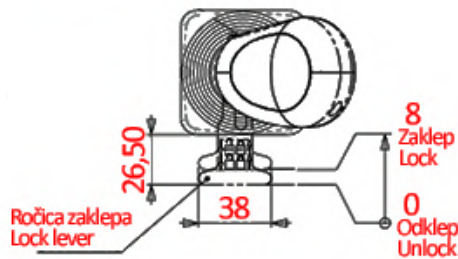


11171

[mm]



Nalepka s komandami
Print with commands



Električna shema
Electric scheme



Šifra / Code		11171
Temp. območje / Temp. range	[°C]	-30° / 80°C
Max. obremenitev pletenica / Max. load - rope	[N]	250
Življenjska doba ročice / Lever lifespan		100.000
Življenska doba gumba / Button lifespan		25.000
El. napetost / Voltage	[VAC]	250
El. napetost / Voltage	[VDC]	30
El. tok / El. current	[A]	3